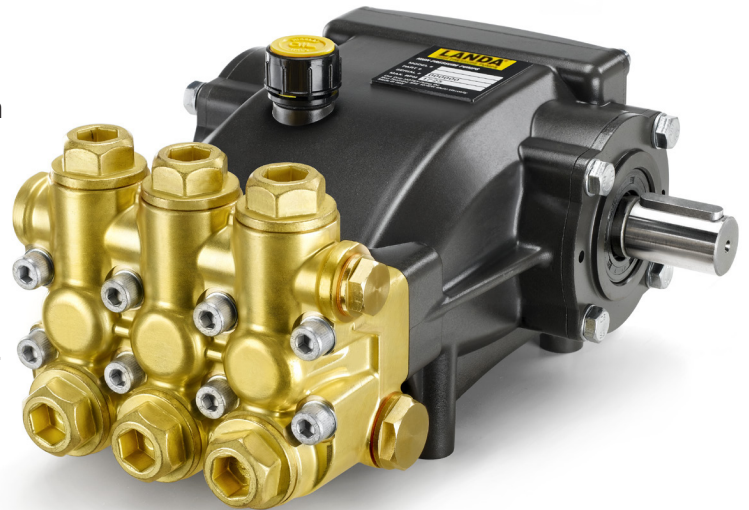


## FEATURES

## G3 Evolution

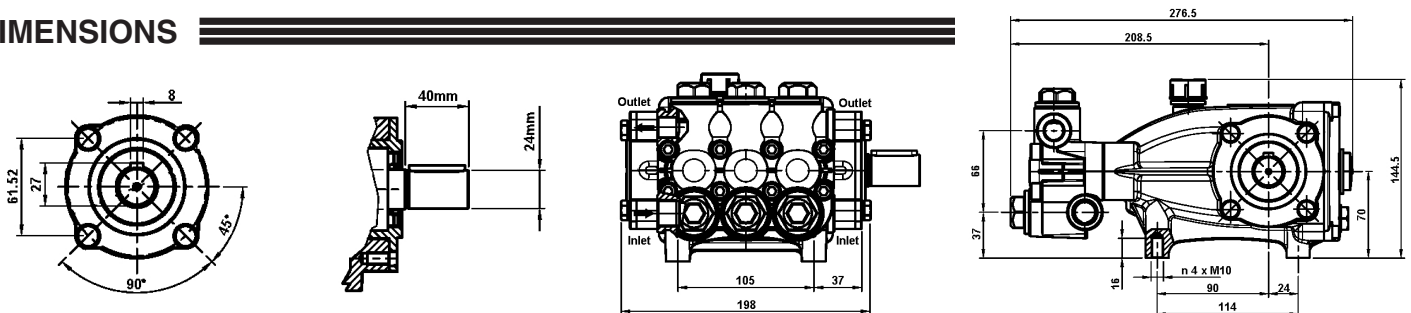
- Designed and engineered exclusively for Landa pressure washers.
- Seven year limited warranty.
- Forged brass manifold.
- Large capacity, die-cast, anodized aluminum oil-bath crankcase with precision rod guide.
- Over-sized connecting rods for maximum life.
- Heavy-duty tapered roller bearing.
- Solid ceramic plungers with mirror finish and corrosion resistance.
- Stainless steel inlet and discharge valve assemblies.
- Forged valve caps with recessed O-rings to withstand high pressures..
- Dacromet® coated manifold bolts for extra corrosion resistance.
- Parker U-Seals for long life performance.



## SPECIFICATIONS

PUMP MODEL	LM3540.3	LM4030.3	LM4035.3	LM5030.3	LM6035.3
Maximum Volume (GPM)	3.5	4	4.8	5.1	5.6
Max. Discharge Pressure (PSI)	4000	3000	3500	3000	3500
Maximum Pump Speed	1850	1000	1500	1550	1740
Maximum Inlet Pressure	125 PSI				
Maximum Inlet Vacuum	9 ft. water (7.9 in. HG)				
Bore	15 mm	20 mm	18 mm	20 mm	18 mm
Stroke	14.3 mm	17mm	17 mm	14.3 mm	17 mm
Crankcase Oil Capacity	23.6 oz.b SAE 20/40W				
Maximum Fluid Temperature	185° F				
Inlet Port Thread	1/2-14 BSPP-F				
Discharge Port Thread	3/8-19 BSPP-F				
Shaft Diameter	24 mm				
Weight	22 lbs				
Dimensions (LxWxH)	11 x 8.8 x 5.7 in.				

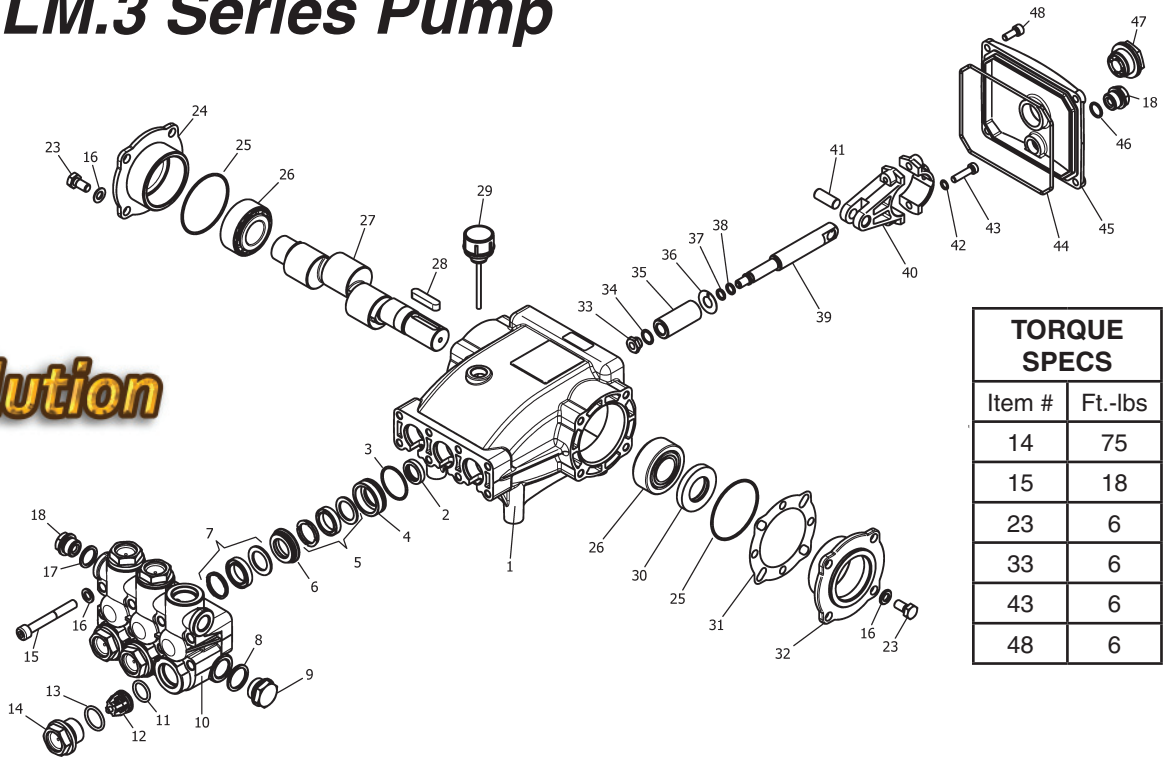
## DIMENSIONS



# LANDA® LM.3 Series Pump

- 8.751-167.0 LM4030R.3
- 8.751-168.0 LM4030L.3
- 8.751-169.0 LM4035R.3
- 8.751-170.0 LM4035L.3
- 8.751-171.0 LM5030R.3
- 8.751-172.0 LM5030L.3
- 8.751-173.0 LM6035R.3
- 8.751-174.0 LM6035L.3
- 8.751-166.0 LM3540R.3

**G3 Evolution**



TORQUE SPECS	
Item #	Ft.-lbs
14	75
15	18
23	6
33	6
43	6
48	6

## PARTS LIST

ITEM	PART NO.	DESCRIPTION	QTY	ITEM	PART NO.	DESCRIPTION	QTY	ITEM	PART NO.	DESCRIPTION	QTY
1	8.751-216.0	Crankcase	1	23	9.802-944.0	Screw, Hex, 8mm x18mm	8	36*	See Kits Below	Copper Spacer	3
2*	See Kits Below	Plunger Oil Seal	3	24	8.717-210.0	Closed Bearing Housing	1	37*	See Kits Below	O-Ring Ø1.78 x 7.66	3
3*	See Kits Below	O-Ring Ø1.78 x 31.47	3	25	9.803-192.0	O-Ring Ø1.78 x 60.05	2	38*	See Kits Below	Teflon Ring	3
4*	See Kits Below	Pressure Ring	3	26	8.933-011.0	Tapered Roller Bearing	2	39	8.751-224.0	Plunger Rod (4030) (4035) (5030) (6035)	3
5*	See Kits Below	U-Seal	3	27	8.751-222.0	Crankshaft (5030,3540)	1		8.751-225.0	Plunger Rod (3540)	3
6*	See Kits Below	Intermediate Ring	3		8.751-223.0	Crankshaft (4030, 4035 6035)	1	40	9.803-158.0	Connecting Rod	3
7*	See Kits Below	U-Seal	3	28	9.803-167.0	Crankshaft Key	1	41	8.751-228.0	Connecting Rod Pin	3
8	9.803-199.0	Washer, Copper	1	29	9.802-921.0	Oil Dip Stick	1	42	9.803-218.0	Spring Washer	6
9	9.802-926.0	Plug, Brass 1/2	1	30	9.803-140.0	Crankshaft Seal	1	43	9.803-238.0	Connecting Rod Screw	6
10	8.751-218.0	Manifold Head	1	31	9.803-178.0	Shim	2	44	8.933-016.0	O-Ring, Ø2.62 x 126.67	1
11*	See Kits Below	O-Ring Ø2.62 x 17.13	6	32	8.717-209.0	Bearing Housing	1	45	8.751-229.0	Crankcase Cover	1
12*	See Kits Below	Valve Assembly	6	33*	See Kits Below	Plunger Nut, M8	3	46	9.803-197.0	O-Ring, Ø1.78 x 14	1
13*	See Kits Below	O-Ring Ø2.62 x 20.29	6	34*	See Kits Below	Copper Spacer	3	47	9.803-202.0	Sight Glass 3/4	1
14	9.802-928.0	Valve Plug	6	35*	See Kits Below	Plunger (4035, 6035)	3	48	9.802-939.0	Cover Screw	5
15	9.802-938.0	Manifold Stud Bolt	8		See Kits Below	Plunger (4030, 5030)	3				
16	9.802-884.0	Washer	16		See Kits Below	Plunger (3540)	3				
17	9.803-198.0	Copper Washer 3/8	1								
18	9.802-925.0	Brass Plug 3/8	1								

\* Available in kit (See below)

## REPAIR KITS

REPAIR KIT NO.	8.725-360.0	8.725-362.0	8.725-358.0	8.725-361.0	8.725-363.0	8.725-359.0	8.751-237.0	8.751-238.0	8.933-023.0	9.802-603.0	9.802-609.0
KIT DESCRIPTION	Plunger Seal LM-4035 LM-6035 18mm	Plunger Seal LM-4030 LM-5030 20mm	Plunger Seal LM-3540 15mm	Complete Seal Packing LM-4035 LM-6035 18mm	Complete Seal Packing LM-4030 LM-5030 20mm	Complete Seal Packing LM-3540 15mm	Plunger LM-4035 LM-6035 18mm	Plunger LM-4030 LM-5030 20mm	Plunger LM-3540 15mm	Complete Valve	Plunger Oil Seals
ITEM NUMBERS INCLUDED	3, 5, 7	3, 5, 7	3, 5, 7	3, 4, 5, 6, 7	3, 4, 5, 6, 7	3, 4, 5, 6, 7	33, 34, 35, 36, 37, 38	33, 34, 35, 36, 37, 38	33, 34, 35, 36, 37, 38	11, 12, 13	2
NO. OF CYLINDERS KIT WILL SERVICE	3	3	3	1	1	1	1	1	1	6	3