

Water Jet Surface Cleaner

LANDA®

Kärcher Group

Operator's Manual

Water Jet System

MODEL:

8.903-606.0



For the Landa Dealer nearest
you, consult our web page at
www.landa.com



8.913-945.0 - B 05/10/17

Machine Data Label

Model: _____

Date of Purchase: _____

Serial Number: _____

Dealer: _____

Address: _____

Phone Number: _____

Sales Representative: _____

Machine Data Label 2
Table of Contents 3
How To Use This Manual 4

Safety

Introduction & Safety Information 5
Important Safety Information. 6

Operations

General Operating Techniques. 7
High Pressure Swivel Information. 7

Maintenance

Troubleshooting 8
Nozzle Chart. 9

Parts

Water Jet System 12
Water Jet System Parts 13

Spanish

Seguridad

Instrucciones De Seguridad Importantes 16
Tecnicas Generales De Operacion. 17
Informacion Del Cabezal De Alta Presion. 17

How To Use This Manual

This manual contains the following sections:

- How to Use This Manual
- Safety
- Operations
- Parts List

The HOW TO USE THIS MANUAL section will tell you how to find important information for ordering correct repair parts.

Parts may be ordered from authorized dealers. When placing an order for parts, the machine model and machine serial number are important. Refer to the MACHINE DATA box which is filled out during the installation of your machine. The MACHINE DATA box is located on the inside of the front cover of this manual.

Model: _____
Date of Purchase: _____
Serial Number: _____
Dealer: _____
Address: _____
Phone Number: _____
Sales Representative: _____

The model and serial number will be found on a decal attached to the machine.

The SAFETY section contains important information regarding hazardous or unsafe practices of the machine. Levels of hazards are identified that could result in product damage, personal injury, or severe injury resulting in death.

The OPERATIONS section is to familiarize the operator with the operation and function of the machine.

The MAINTENANCE section contains preventive maintenance to keep the machine and its components in good working condition. They are listed in this general order:

- Troubleshooting
- Nozzle Chart

The PARTS LIST section contains assembled parts illustrations and corresponding parts list. The parts lists include a number of columns of information:

- **REF** – column refers to the reference number on the parts illustration.
- **PART NO.** – column lists the part number for the part.
- **QTY** – column lists the quantity of the part used in that area of the machine.
- **DESCRIPTION** – column is a brief description of the part.
- **NOTES** – column for information not noted by the other columns.

NOTE: If a service or option kit is installed on your machine, be sure to keep the KIT INSTRUCTIONS which came with the kit. It contains replacement parts numbers needed for ordering future parts.

NOTE: The manual part number is located on the lower right corner of the front cover.

Introduction & Safety Information

The Water Jet is designed to attach to a pressure washer which causes rotation of two high pressure nozzles which will contain the spray as well as determine the size of the swath when cleaning surfaces such as parking lots, driveways and sidewalks.

It also has an attached spray gun and hose for isolated cleaning areas. The height adjustment knob allows for cleaning variations by easily raising or lowering the rotating pressure spray.

Owner/User Responsibility:

The owner and/or user must have an understanding of the manufacturer's operating instructions and warnings before using this Water Jet. Warning information should be emphasized and understood. If the operator is not fluent in English, the manufacturer's instructions and warnings shall be read to and discussed with the operator in the operator's native language by the purchaser/owner, making sure that the operator comprehends its contents.

Owner and/or user must study and maintain for future reference the manufacturers' instructions.

SAVE THESE INSTRUCTIONS

This manual should be considered a permanent part of the machine and should remain with it if machine is resold.

When ordering parts, please specify model and serial number.

Important Safety Information



CAUTION: To reduce the risk of injury, read operating instructions carefully before using.

1. Read the owner's manual thoroughly. Failure to follow instructions could cause malfunction of the machine and result in death, serious bodily injury and/or property damage.
2. The best insurance against an accident is precaution and knowledge of the machine.



WARNING: High pressure stream of fluid that this equipment can produce can pierce skin and its underlying tissues, leading to serious injury.

3. High pressure developed by these machines will cause personal injury or equipment damage. Use caution when operating. Do not direct discharge stream at people or animals or severe injury or death will result.
4. Make sure that there are no persons/animals in the immediate vicinity of the cleaning head.
5. Keep fingers and hands away from moving parts.
6. Keep hands and feet from beneath the shroud.
7. Never make adjustments on machine while it is in operation.

8. Never point the Water Jet wand at any part of your body or at anyone standing within 10 feet as serious injury could occur.



WARNING: High pressure spray can cause paint chips or other particles to become airborne and fly at high speeds.

9. Safety clothing and protective eye covering must be worn. Wear eye protection with side shields that are marked to comply with ANSI Z87.1 when operating this product.
10. Always wear close-toed shoes when using this product.
11. Water Jet assembly comes equipped with a #6 nozzle in the spray gun and two #3 nozzles in the rotating swivel. Check your machine nozzle size before using.
12. We will not be liable for any alterations made to our standard machines, or the application of any components not purchased from us.
13. Pressure must NOT exceed 4,000 PSI. Temperature must NOT exceed 200°F. Flow rate must NOT exceed 6 GPM.
14. To protect from freezing, squeeze trigger on spray gun and lower the hose to allow water to drain. Flow rate must NOT exceed 6 GPM.

General Operating Techniques

1. Disconnect pressure washer spray gun from high pressure hose. These items are not included, but are provided with the soon to be attached pressure washer.
2. Attach the female nipple, supplied with the Water Jet, to the pressure washer high pressure hose.

NOTE: We recommend using no mar hose to prevent black marks from appearing on the cleaning surface.

3. Couple the pressure washer high pressure hose to the Water Jet.
4. Inspect your pressure washer nozzle size. The Water Jet surface cleaner comes with two #3 nozzles. If your pressure washer requires a nozzle larger than a #6, consult with your local dealer.

NOTE: For ideal cleaning, the Water Jet must be attached to a minimum 4 gpm at 3,000 psi pressure washer.

5. Adjust the rotary spray bar to its highest position. Loosen the adjustment knob (item #7) on the front of the Water Jet dome and slide the knob upward to raise the rotary spray bar to its highest position and tighten.
6. Turn on water supply and start pressure washer.

NOTE: It is always important to test in a small area for the correct height adjustment needed so surface being cleaned won't be damaged.

7. Pull the trigger for water to start cleaning surface.

NOTE: Never stop moving the Water Jet while trigger is engaged and surface is being sprayed or damage to surface could occur.

8. For use of the spray gun in isolated cleaning, check the nozzle size (item 24). The Water Jet is shipped with a #6 nozzle; if your pressure washer requires a larger nozzle, you will need to use the nozzle from your pressure washer.

NOTE: For use of the spray gun, be aware that the Water Jet comes with a #6 nozzle and two #3 nozzles on the rotary swivel.

High Pressure Swivel Information

The Water Jet high pressure swivel will “weep” water from underneath the dome cover (item 1). This weeping is normal for this swivel and will weep even more with hot water than with cold. The swivel uses water to lubricate its floating seal face to keep wear down to a minimum.

Also the high pressure swivel is equipped with a grease fitting and should be greased at least **once every three months**. A good quality ball bearing grease is recommended. **DO NOT OVER GREASE THE BEARING!**

The Warranty for this high pressure swivel is one year from date of purchase.

Troubleshooting

PROBLEM	POSSIBLE CAUSE	SOLUTION
Quick coupler leaks	Worn O-Ring	Replace O-Ring (Part #9.802-100.0).
Spray Gun(s) leak	Foreign matter between valve seat and ball	Remove foreign matter. Replace with Repair Kit (Part #81-21227).
Pressure washer unloader cycles	High pressure filter or wrong sized nozzles for attached pressure washer	Remove and clean out filter, nozzle(s). Check nozzle size.
Nozzles spinning too slow	Not enough water volume for attached pressure washer to rotate nozzles	Need a larger gpm pressure washer.
Not cleaning surface	Height adjustment too high or pressure washer too small for job	Lower adjustment knob or attach to larger pressure washer.
Rotating nozzle arm not spinning, bearing noise	Pressure washer too small or bearing low on grease	Get larger gpm pressure washer or grease bearing.

Nozzle Chart

Correct nozzle size is important for optimum cleaning efficiency. Water Jet is shipped with two #3, 15° nozzles in rotary swivel, and one #6, 40° nozzle in shut-off gun. Review correct nozzle size for your pressure washer. See chart below for correct nozzle size. To obtain the correct nozzle size in the rotary swivel, divide the minimum nozzle size for the pressure by two. Round this figure up to the nearest half nozzle size. These are the 1/8" nozzles only (two needed) for the rotary swivel on the Water Jet.

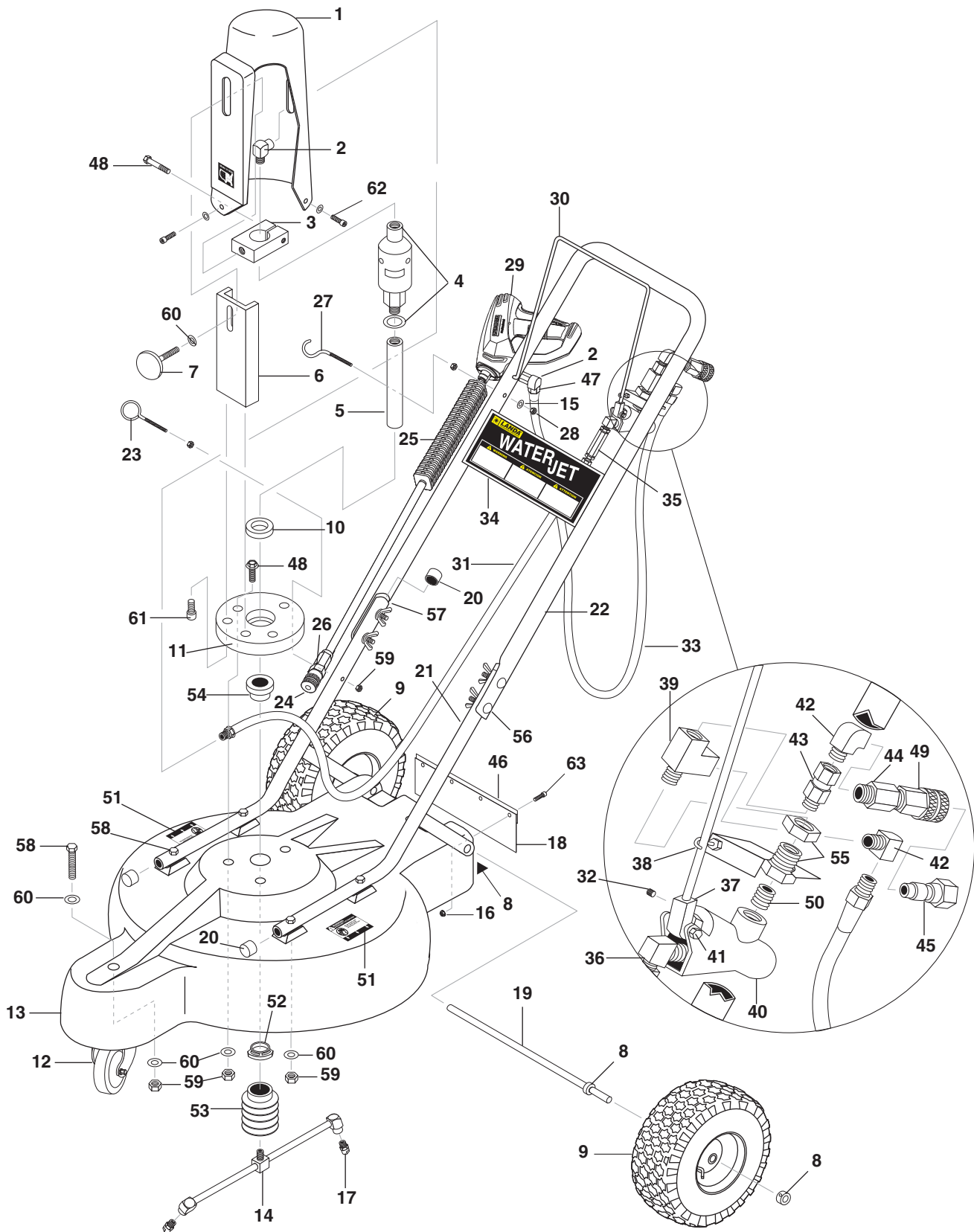
Nozzle Size	Orifice diam. (in.)	40 PSI	100 PSI	250 PSI	500 PSI	600 PSI	700 PSI	800 PSI	1000 PSI	1200 PSI	1500 PSI	2000 PSI	2500 PSI	3000 PSI	3500 PSI	4000 PSI
2	.034	.20	.32	.50	.71	.77	.80	.89	1.0	1.1	1.2	1.4	1.6	1.7	1.9	2.0
3	.042	.30	.47	.75	1.07	1.16	1.25	1.34	1.5	1.6	1.8	2.1	2.4	2.6	2.8	3.0
4	.052	.40	.63	1.00	1.40	1.60	1.70	1.80	2.0	2.2	2.5	2.8	3.1	3.5	3.8	4.0
4.5	.055	.45	.71	1.10	1.50	1.70	1.90	2.00	2.2	2.4	2.8	3.0	3.6	3.9	4.3	5.0
5	.057	.50	.79	1.30	1.80	1.90	2.10	2.20	2.5	2.8	3.1	3.6	4.0	4.4	4.7	5.0
5.5	.06	.55	.87	1.40	1.90	2.10	2.30	2.50	2.8	3	3.4	3.8	4.4	4.8	5.2	5.5
6	.062	.60	.95	1.50	2.10	2.30	2.50	2.70	3.0	3.2	3.7	4.2	4.8	5.2	5.7	6.0
6.5	.064	.65	1.00	1.70	2.30	2.50	2.70	2.90	3.3	3.6	4.0	4.6	5.2	5.7	6.0	
7	.067	.70	1.10	1.80	2.50	2.70	2.90	3.10	3.5	3.8	4.3	5.0	5.6			
7.5	.07	.75	1.20	1.90	2.70	2.90	3.20	3.40	3.8	4.1	4.6	5.3	6.0			
8	.072	.80	1.30	2.00	2.80	3.10	3.40	3.60	4.0	4.4	5.0	5.6				
8.5	.074	.85	1.30	2.20	3.00	3.30	3.60	3.80	4.3	4.6	5.3	6.0				
9	.076	.90	1.40	2.30	3.20	3.50	3.80	4.00	4.5	5.0	5.5					
9.5	.078	.95	1.50	2.40	3.40	3.70	4.00	4.30	4.8	5.3	5.8					
10	.08	1.00	1.60	2.50	3.50	3.90	4.20	4.50	5.0	5.4						
12	.087	1.20	1.90	3.00	4.20	4.60	5.00	5.40	6.0							
15	.094	1.50	2.40	3.80	5.30	5.80										
20	.109	2.00	3.20	5.00												
30	.141	3.00	4.70													
40	.156	4.00														

Parts

8.903-606.0

LANDA WATER JET SYSTEM

Water Jet System



REF	PART NO.	QTY	DESCRIPTION	NOTES
1	8.706-579.0	1	DOME, WATER JET, HEIGHT ADJUSTMENT	
2	8.706-207.0	2	ELBOW, STREET, 3/8"	
3	8.719-964.0	1	CLAMP, ROTARY SWIVEL	
4	8.707-011.0	1	SWIVEL, ROTARY UNION	
-	8.941-711.0	1	WASHER, BRASS	
5	8.719-962.0	1	SHAFT, EXTENSION, WATER JET	
6	8.719-963.0	1	BLOCK, SLIDE ADJUSTMENT	
7	8.719-063.0	1	KNOB, 3/8" X 1", WATER JET	
8	9.802-782.0	6	COLLAR, 5/8" BORE SHAFT	
9	4-0303	2	WHEEL & TIRE ASSY. 4" TUBELESS	
10	8.706-580.0	1	BEARING, 1" ROLLER, DBL SEAL	
11	8.719-961.0	1	BASE, SLIDE ADJUSTMENT	
12	8.711-908.0	1	WHEEL, CASTOR 3" GREY	
13	8.706-578.0	1	BASE, WATER JET, POLYETHYLENE	
14	8.725-311.0	1	SPRAY ARM ASSY, COMPLETE, SS	
15	9.802-813.0	1	WASHER, 5/16", LOCK, SPLIT, RING	
16	9.802-696.0	4	NUT, 10/32", NF, ST, KEP	
17	8.711-370.0	2	NOZZLE ONLY, SA, 1/4", MEG-1503	
18	8.707-387.0	1	GUARD, SPLASH, WATER JET	
19	8.912-849.0	1	AXLE, 5/8" X 18.5", STAINLESS	
20	8.706-560.0	4	CAP, BLACK VINYL, WATER JET	
21	8.912-851.0	2	HANDLE ASSY., LOWER	
22	8.912-852.0	1	HANDLE, WATER JET, UPPER ASSY.	
23	8.718-710.0	1	EYEBOLT, 3/8" X 4"	
24	8.712-364.0	1	NOZZLE SAQCMEG 4006, WHITE	
25	8.752-900.0	1	LANCE, MOLDED 24" CHROME SQUARE, LEGACY	
26	9.802-164.0	1	COUPLER, 1/4" FEMALE	
27	8.719-109.0	1	BOLT, 5/16" X 3", J-BOLT	
28	9.802-787.0	1	NUT, 5/16", CAP	
29	4.775-054.0	1	EASY! FORCE ADVANCED KNA	
30	8.719-965.0	1	HANDLE, TRIGGER BAR, WATER JET	
31	8.918-185.0	1	HOSE, 30" X 1/4", PRES BYPASS	
32	8.718-951.0	1	SET SCREW, 10/32" X 1/4" SS. SOCKET HEAD	
33	8.918-187.0	1	HOSE, 42" X 1/4" X 100R2	
34	8.900-221.0	1	LABEL, WATER JET	
35	8.709-175.0	1	FILTER, 1/4" 36387-1/4", HIGH PRESSURE	
-	8.709-176.0	1	SCREEN, HIGH PRES.FILTER S/S	NOT SHOWN
-	2-990711	1	GASKET, NYLON FOR 2-99071	NOT SHOWN
36	8.706-163.0	1	ELBOW, MALE, 1/4" PIPE	
37	8.719-966.0	1	ADAPTER, VALVE, TRIGGER BAR	
38	8.719-101.0	1	HOOK, #10/24" X 2" NC	
-	8.718-857.0	2	NUT, 10/24", HEX, WHIZ LOC	NOT SHOWN
39	8.706-233.0	1	TEE, STREET, 1/4", STEEL	

Water Jet System

REF	PART NO.	QTY	DESCRIPTION	NOTES
40	8.718-244.0	1	VALVE, ACTUATOR, ASSY.	
-	81-21227	1	KIT, REPAIR, 200 SERIES (FOR 81-21007L)	NOT SHOWN
41	8.719-069.0	1	PIN, ROLL M2.5 X 24 MM	
42	8.706-200.0	2	ELBOW, STREET, 1/4"	
43	8.707-012.0	1	SWIVEL, HIGH PRESSURE, 1/4"	
44	8.706-301.0	1	ADAPTER, 3/8" X 1/4"	
45	9.802-170.0	1	NIPPLE, 3/8" X 3/8", NPT ST, FEMALE	
46	8.912-853.0	1	PLATE, BACKUP, SPLASH GUARD	
47	8.706-297.0	1	BUSHING, 3/8" X 1/4", STEEL	
48	8.718-724.0	4	SCREW, 3/8" X 2" SOCKETHEAD	
49	9.802-169.0	1	COUPLER, 3/8" MALE	
50	8.705-969.0	1	NIPPLE, 1/4" CLOSE	
51	8.900-222.0	2	LABEL, WATER JET WARNING	
52	8.709-113.0	1	CLAMP	
53	8.706-557.0	1	BELLOWS, LEG BOOT	
54	8.715-871.0	1	BEARING, WATER JET BOOT HOLDER	
55	8.706-999.0	1	CONNECTOR, 1/4" ANCHOR	
56	8.718-727.0	4	SCREW, 1/4" X 2"	
57	8.718-880.0	4	NUT, WING 1/4"	
-	8.719-019.0	4	WASHER, SPLIT LOCK	NOT SHOWN
58	9.802-726.0	5	BOLT, 3/8" X 1-3/4" SS	
59	9.802-780.0	9	NUT, 3/8" SS ESNA	
60	9.802-808.0	10	WASHER, 3/8" SS	
61	8.718-723.0	2	SCREW, 3/8" X 1-1/2" SOCKETHEAD	
62	9.802-759.0	3	SCREW, 10/32" X 1/2"	
-	9.804-082.0	3	WASHER, 1/4", SAE, BLACK	NOT SHOWN
63	8.718-653.0	4	SCREW, 10/32" X 1/2", SHCS, SS	

Instrucciones De Seguridad Importantes



PRECAUCIÓN: Para reducir el riesgo de accidentes, leer cuidadosamente las instrucciones de operación antes de usar la unidad.

1. Leer cuidadosamente el manual del operador. El incumplimiento de las instrucciones puede causar un operación defectuosa e inadecuada de la

unidad y puede provocar la muerte, causar heridas serias y/o daños a la propiedad.



ADVERTENCIA: El flujo de líquido de alta presión del equipo puede producir perforaciones en los tejidos de la piel, causando heridas graves.

2. La alta presión desarrollada por estas unidades causará accidentes personales o daños al equipo. Sea precavido al operar.

No descargar el flujo directamente en personas o animales ya que puede causar heridas graves o la muerte.

3. Nunca hacer ajustes a la máquina mientras esté operando.
4. Deben usarse accesorios de seguridad para los ojos y protección de los pies cuando se use este equipo.
5. El mejor seguro contra un accidente es la precaución y el conocimiento de la máquina.

6. Nunca diriga la varilla del chorro de agua a cualquier parte de su cuerpo o alguna persona a 10 pies de distancia ya que podría producir heridas graves.



ADVERTENCIA: El chorro de alta presión puede ocasionar que trozos de pintura y otras partículas vuelen por los aires a altas velocidades.

7. Debe usarse ropa de seguridad y protección para los ojos.
8. El ensamble del Sistema de chorro de agua viene equipado con una boquilla #6 en la pistola de apagado y dos boquillas #3 en la placa giratoria. Revise la boquilla de su equipo antes de usarlo.
9. No seremos responsable por cualquier cambio hecho a nuestras unidades estándar o la aplicación de cualquier otro componente no comprado de nosotros.
10. La presión NO debe exceder 4,000 PSI. La temperatura NO debe exceder 200°F.
11. Para protección contra congelamiento, apretar el gatillo de la pistola en posición apagado y bajar la manguera para drenar el agua.

Tecnicas Generales De Operacion

1. Desconectar la pistola de alta presión de la manguera de alta presión. Estos artículos no se incluyen, pero serán provistos cuando se requieran acoplar a la lavadora de presión.
2. Conectar la boquilla hembra, incluida con la lavadora, a la manguera de agua de alta presión.

NOTA: Recomendamos no usar manguera tipo mar para prevenir que aparezcan marcas negras en la superficie que se está limpiando.

3. Acoplar la manguera de alta presión de la lavadora al Sistema de chorro de agua
4. Inspeccionar el tamaño de la boquilla de la lavadora de presión. El Sistema de chorro de agua viene con dos boquillas #3. Si su lavador de presión requiere una boquilla más grande que la #6, consulte con su vendedor local.

NOTA: Para un lavado ideal, el Sistema de chorro de agua debe adaptarse a un lavador de un mínimo de 4 gpm y 3,000 psi de presión.

5. Regular la varilla de rociado en su posición más alta. Aflojar la perilla de regulación (artículo #7) en el domo frontal del equipo y deslizar la perilla hacia arriba para elevar la varilla de rociado giratorio a su posición más alta, luego ajustar.
6. Prender el suministro de agua y arrancar la lavadora de presión.

NOTA: Siempre es importante probar en una área pequeña para la correcta regulación de la altura necesaria de tal manera que la superficie a ser limpiada no sea dañada.

7. Tirar del gatillo para que el agua empiece a limpiar la superficie.

NOTA: Nunca deje de mover el Sistema de chorro de agua mientras el gatillo está accionado y la superficie está siendo limpiada o podrían ocurrir daños en la superficie.

8. Para usar la pistola en una sola limpieza, revisar el tamaño de boquilla (artículo 24). El chorro de agua es embalado con una boquilla #6; si su lavadora de presión requiere una boquilla más grande, usted necesitará usar la boquilla de la lavadora de presión.

NOTA: Para usar la pistola, tener presente que el Sistema de chorro de agua viene con una boquilla #6 y dos boquillas #3 sobre la placa rotatoria.

Informacion Del Cabezal De Alta Presion

El cabezal de alta presión del chorro de agua “derramará” agua por debajo de la cubierta de cúpula (artículo 1). Este derrame es normal para el cabezal y derramará incluso más con el agua caliente que con la fría. El cabezal usa agua para lubricar su sello flotante y mantener un desgaste mínimo.

El cabezal de alta presión también está equipado con un accesorio para engrase y deberá ser engrasado por lo menos **una vez cada tres meses**. Se recomienda una grasa de buena calidad para cojinetes. **NO SOBRECARGUE DE GRASA EL COJINETE!**

La garantía para este cabezal de alta presión es de un año desde la fecha de compra.

LANDA[®]
Kärcher Group

8.913-945.0 • Printed in U.S.A.