

LANDA® LT.2 Pump Series

FEATURES

G3 Evolution

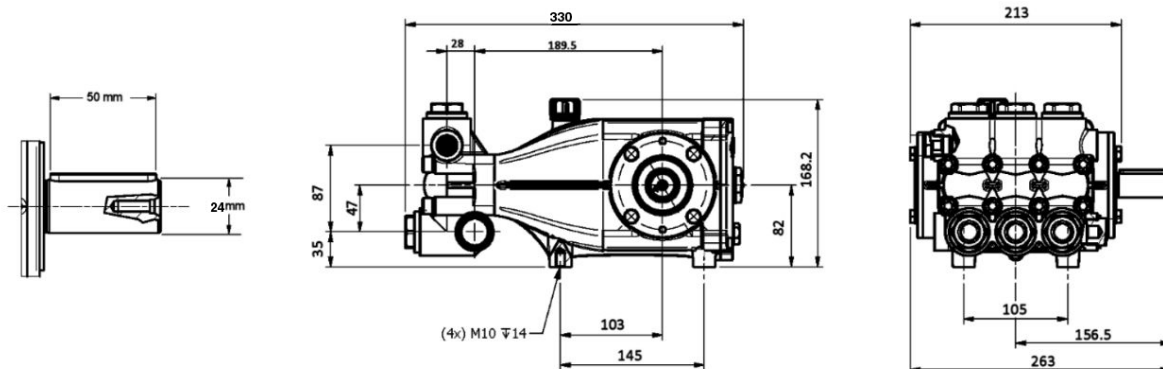
- Designed and engineered exclusively for pressure washers.
- Seven year limited warranty.
- NEW** • Forged Brass Manifold with FEA computer enhanced design to increase strength in critical areas.
- NEW** • Die Cast Aluminum Crankcase with extended piston rod guides for long seal life.
- NEW** • Die Cast Aluminum Connecting Rods with extended length and size.
- NEW** • Mirror finish Ceramic Plungers with increased thickness to resist thermal shock and corrosion.
- Industrial duty tapered roller bearings.
- Stainless steel inlet and discharge Valve Assemblies.
- Forged valve caps with recessed O-rings to withstand leakage at high pressures.
- Dacromet® coated manifold bolts for extra corrosion resistance.
- U-Seal Packing Assembly for long life and temperature resistance.



SPECIFICATIONS

PUMP MODEL	LT4540.2	LT6036.2
Part Number	8.921-710.0- Right PTO 8.921-711.0-Left PTO	8.921-712.0-Right PTO 8.921-713.0-Left PTO
Maximum Volume (GPM)	4.5	6.0
Max. Discharge Pressure (PSI)	4000	3600
Maximum Pump Speed	1360	1450
Maximum Inlet Pressure	125 psi	
Maximum Inlet Vacuum	9 ft. water (7.9 in. Hg)	
Bore	18mm	
Stroke	17mm	21mm
Crankcase Oil Capacity	40.6 oz.	
Maximum Fluid Temperature	185° F	
Inlet Port Thread	1/2" BSP	
Discharge Port Thread	3/8" BSP	
Shaft Diameter x Shaft Length	25mm x 50mm	
Weight	39 lbs	
Dimensions (L x W x H)	12.9 x 10.00 x 6.6	

DIMENSIONS



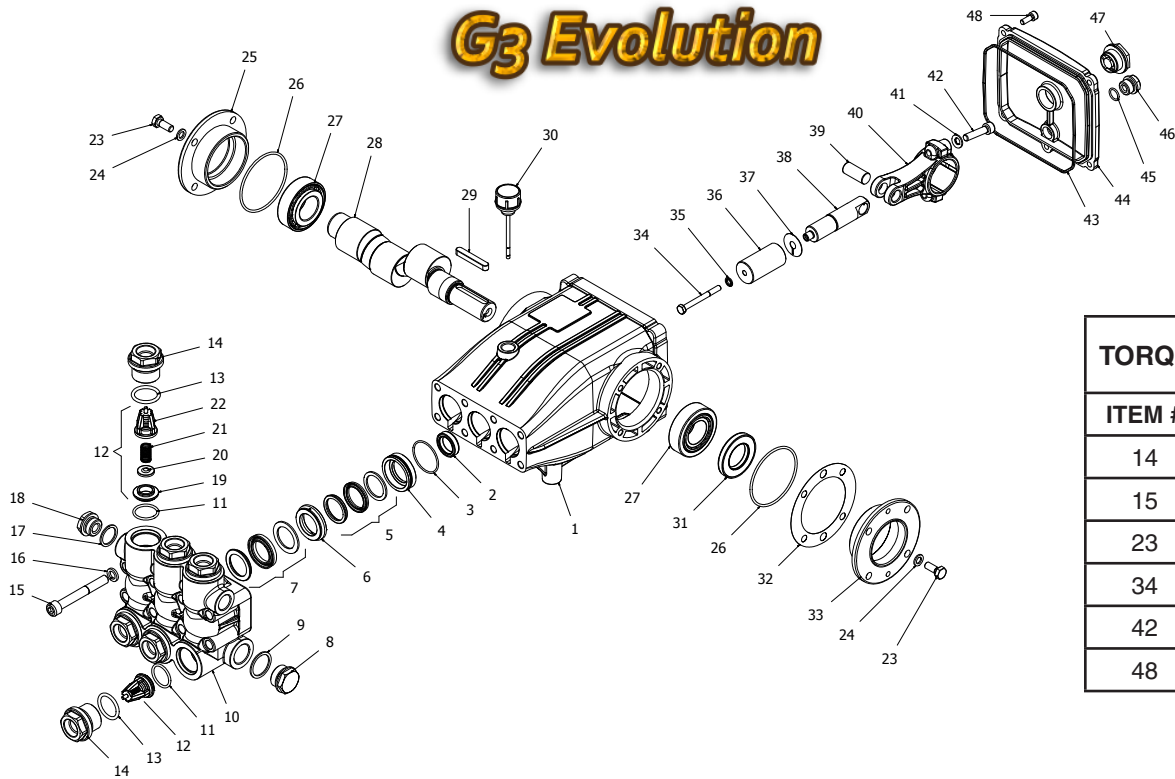
LANDA • USA

Phone: (360) 833-1600 or consult our web page at www.landa.com

9.801-580.0 • Rev. 2/14

LANDA® LT.2 Pump Series

G3 Evolution



TORQUE SPECS	
ITEM #	FT. LBS.
14	95
15	45
23	8
34	10
42	30
48	8

PARTS LIST

ITEM	PART NO.	DESCRIPTION	QTY	ITEM	PART NO.	DESCRIPTION	QTY	ITEM	PART NO.	DESCRIPTION	QTY
1	8.752-825.0	Crankcase	1	18	8.707-262.0	Brass Plug 3/8	1	33	9.803-181.0	Bearing Housing	1
2*	See Kit Below	Plunger Oil Seal	3	19	See Kit Below	Valve Seat	6	34*	8.752-841.0	Plunger Bolt	3
3*	See Kit Below	O-Ring Ø1.78 x 37.82	3	20	See Kit Below	Valve Plate	6	35*	8.752-820.0	Bonded Seal	3
4*	See Kit Below	Pressure Ring, 18mm	3	21	See Kit Below	Valve Spring	6	36*	8.753-819.0	Plunger, 18mm	3
5*	See Kit Below	U-Seal, 18mm	3	22	See Kit Below	Valve Cage	6	37*	8.752-823.0	Copper Spacer	3
6*	See Kit Below	Intermediate Ring, 18mm	3	23	8.752-830.0	Hex Screw	8	38	8.753-820.0	Plunger Rod	3
7*	See Kit Below	U-Seal, 18mm	3	24	9.802-884.0	Washer	8	39	8.752-822.0	Connecting Rod Pin	3
8	9.802-926.0	Brass Plug, G1/2	1	25	9.803-182.0	Closed Bearing Housing	1	40	8.752-821.0	Connecting Rod	3
9	9.803-199.0	Copper Washer 1/2	1	26	9.803-186.0	O-Ring Ø2.62 x 71.12	2	41	9.802-889.0	Spring Washer	6
10	8.753-816.0	Manifold Housing	1	27	9.803-160.0	Roller Bearing	2	42	9.802-937.0	Connecting Rod Screw	6
11*	9.804-498.0	O-Ring Ø2.62 x 25.1	6	28	8.753-818.0	Crankshaft Ø25 (4540)	1	43	9.803-194.0	O-Ring Ø2.62 x 152.07	1
12*	See Kit Below	Valve Assembly	6		8.752-827.0	Crankshaft Ø25 (6036)	1	44	8.752-826.0	Crankcase Cover	1
13*	9.803-193.0	O-Ring 3068	6	29	9.803-167.0	Crankshaft Key	1	45	9.803-906.0	O-Ring Ø1.78 x 14.00	1
14	9.802-928.0	Valve Plug	6	30	8.752-834.0	Oil Dip Stick	1	46	8.707-262.0	Brass Plug G3/8	1
15	8.753-817.0	Manifold Stud Bolt	8	31	9.803-139.0	Crankshaft Seal	1	47	9.803-202.0	Sight Glass G3/4	1
16	9.802-890.0	Lock Washer	8	32	9.803-177.0	Shim	2	48	8.752-824.0	Cover Screw	5
17	8.719-008.0	Copper Washer 3/8	1								

* Available in kit (See below)

REPAIR KITS

KIT NUMBERS	8.753-821.0	8.753-822.0	8.753-823.0	8.753-824.0	8.752-835.0
KIT DESCRIPTION	Plunger Seals 18 mm	Seal Packing 18 mm	Plunger 18 mm	Complete Valve	Plunger Oil Seals
ITEMS NUMBERS INCLUDED	3, 5, 7	3, 4, 5, 6, 7,	34, 35, 36, 37	11, 12, 13	2
NUMBER OF CYLINDERS KIT WILL SERVICE	3	1	1	6	3